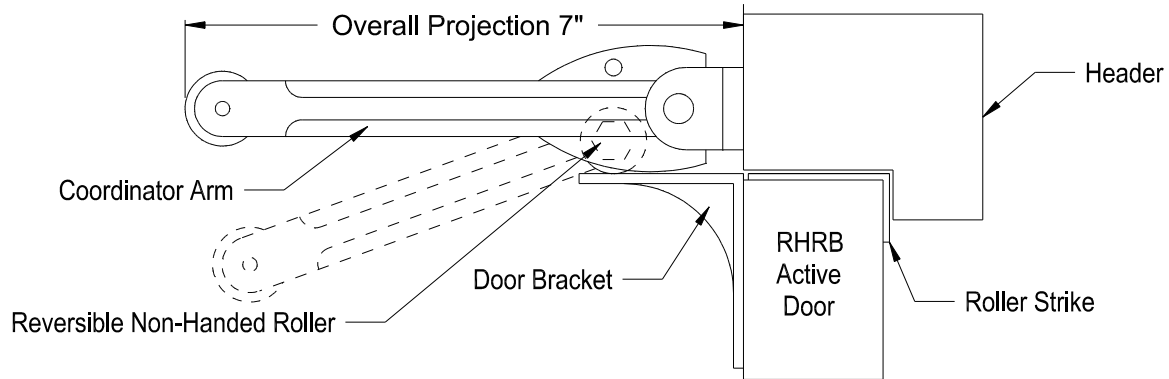


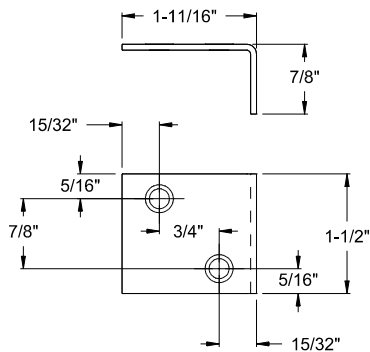
## 7500 RHRB ACTIVE GRAVITY DOOR COORDINATOR TEMPLATE



### MOUNTING INSTRUCTIONS

Refer to Drill Schedule

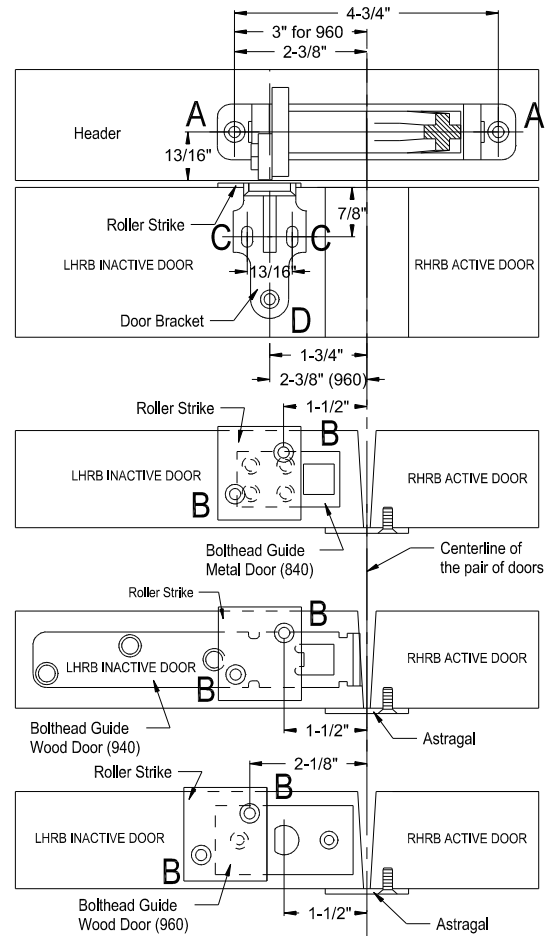
1. Locate centerline of doors on header.
2. Mount Coordinator.
3. Mount Roller Strike on Inactive Door.
4. Drill C holes and mount Door Bracket.
5. Adjust Door Bracket flush with Roller Strike. Drill D Hole to secure Strike in place.



840 PREP

940 PREP

960 PREP



### DRILL SCHEDULE

Coordinator "A" holes:  
2 ea #10 x 1" FHSMS  
Drill #24 (.152) in steel  
Drill #17 (.173) in wood

Roller Strike "B" holes:  
2 ea. #10 x 1" FHSMS  
Drill #24 (.152) in steel  
Drill #17 (.173) in wood

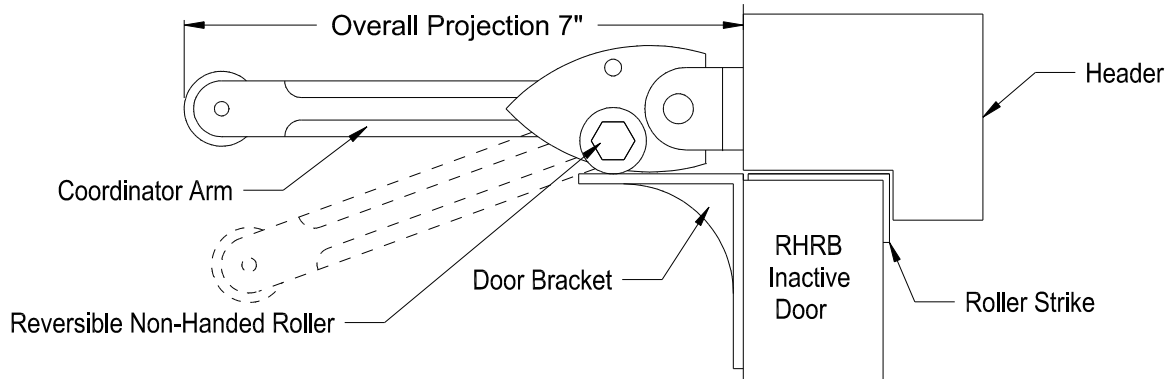
Door Bracket "C & D" holes  
3 ea #8 x 1" FHSMS  
Drill #26 (.147) in steel  
Drill #30 (.128) in wood

**SEE REVERSE SIDE FOR LHRB TEMPLATE**

**NOTE:** Due to occasional product changes, please ensure your template is current by checking our website at [www.burnsmfg.com](http://www.burnsmfg.com) or call us at 814-833-7428. Burns Mfg. is not responsible for obsolete template errors.

**Date: 4/10 - Rev. 1**

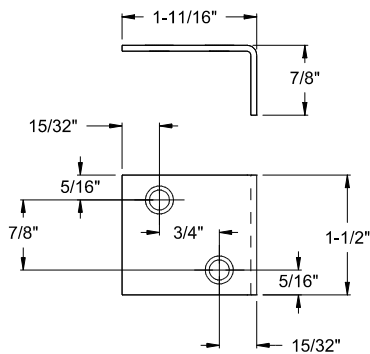
## 7500 LHRB ACTIVE GRAVITY DOOR COORDINATOR TEMPLATE



### MOUNTING INSTRUCTIONS

Refer to Drill Schedule

1. Locate centerline of doors on header.
2. Mount Coordinator.
3. Mount Roller Strike on Inactive Door.
4. Drill C holes and mount Door Bracket.
5. Adjust Door Bracket flush with Roller Strike. Drill D Hole to secure Strike in place.

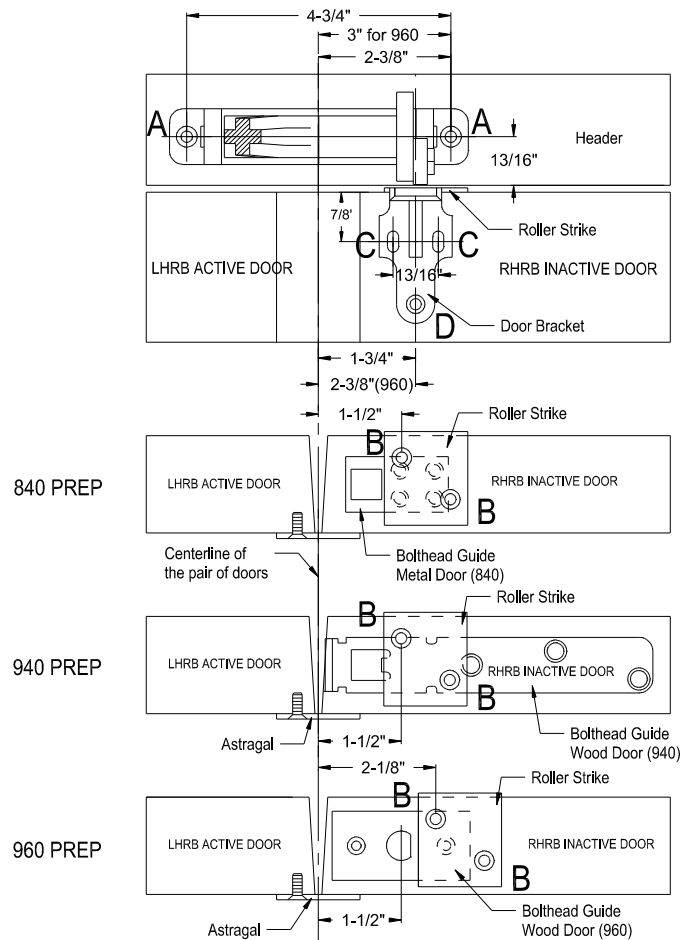


### DRILL SCHEDULE

Coordinator "A" holes:  
2 ea #10 x 1" FHSMS  
Drill #24 (.152) in steel  
Drill #17 (.173) in wood

Roller Strike "B" holes:  
2 ea. #10 x 1" FHSMS  
Drill #24 (.152) in steel  
Drill #17 (.173) in wood

Door Bracket "C & D" holes  
3 ea #8 x 1" FHSMS  
Drill #26 (.147) in steel  
Drill #30 (.128) in wood



**SEE REVERSE SIDE FOR RHRB TEMPLATE**

**NOTE:** Due to occasional product changes, please ensure your template is current by checking our website at [www.burnsmfg.com](http://www.burnsmfg.com) or call us at 814-833-7428. Burns Mfg. is not responsible for obsolete template errors.

**Date: 4/10 - Rev. 1**