

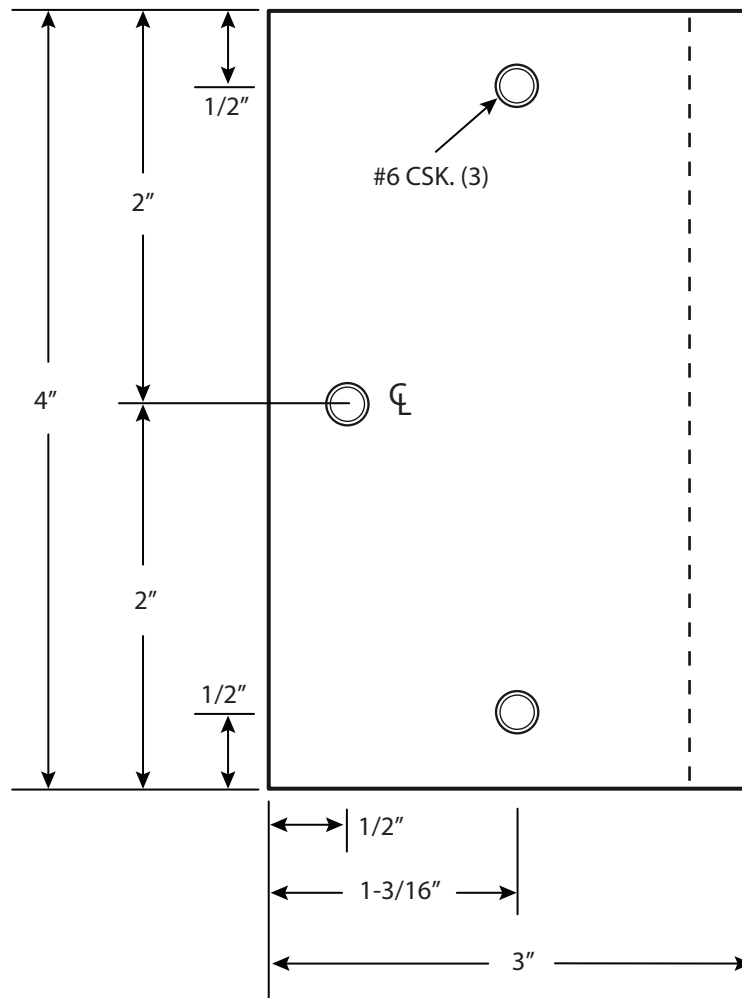
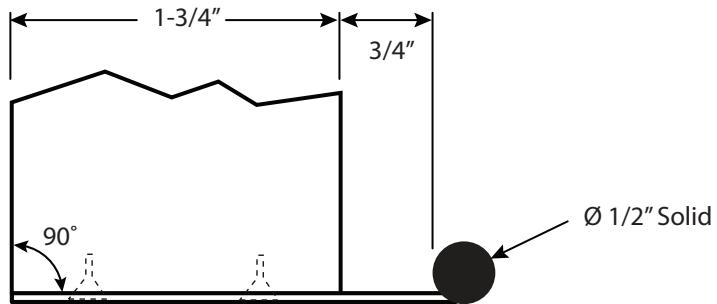
611 EDGE PULL TEMPLATE

Door Thickness: 1-3/4" Square Door (specify size)

Length: 4" Standard (specify size)

Plate: .062 thick

Rod: 1/2" Diameter



NOTE: Due to occasional product changes, please ensure your template is current by checking our website at www.burnsmfg.com or call us at 814-833-7428. Burns Mfg. is not responsible for obsolete template errors.

Date: 5/15 - Rev. 1