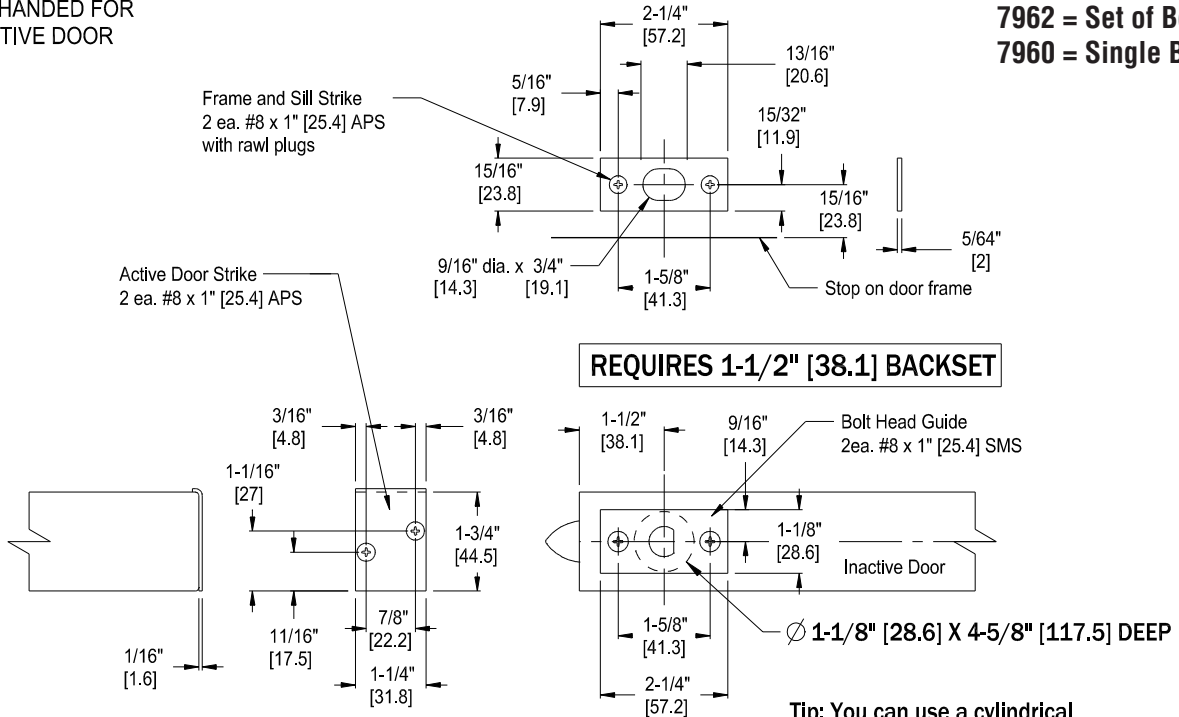


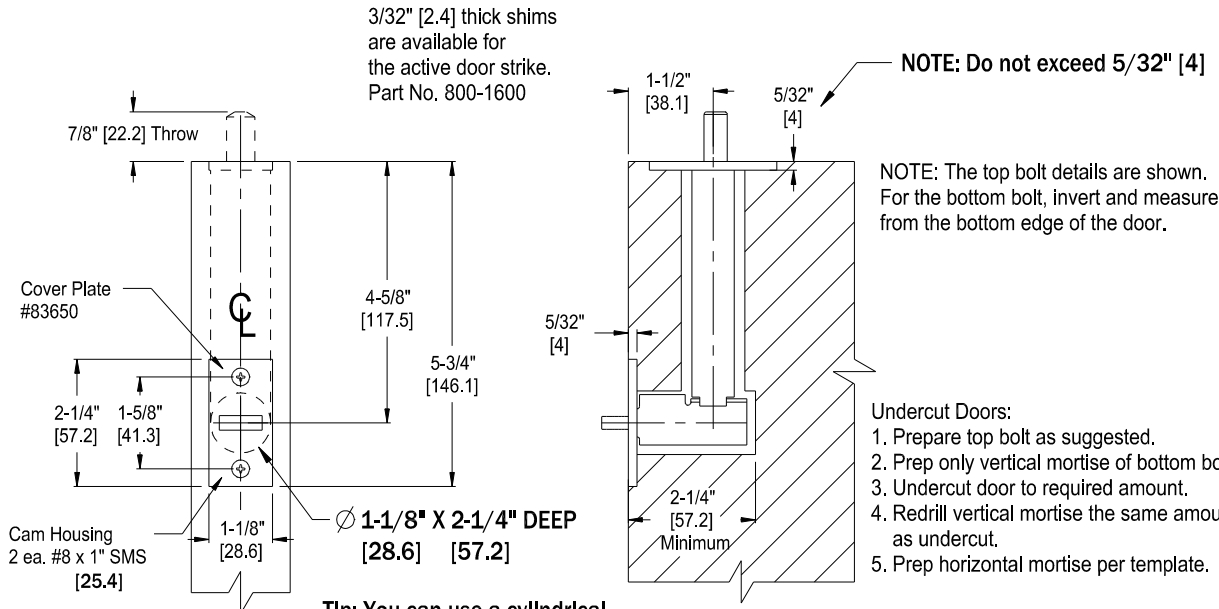
7962 AUTOMATIC FLUSH BOLT TEMPLATE

NON - HANDED FOR
 INACTIVE DOOR

7962 = Set of Bolts
7960 = Single Bolt



Tip: You can use a cylindrical latch bolt prep jig for this prep.



Tip: You can use a cylindrical latch bolt prep jig for this prep.

Dimensions in [] denotes millimeters

SEE REVERSE SIDE FOR INSTALLATION

PATENTED

NOTE: Due to occasional product changes, please ensure your template is current by checking our website at www.burnsmfg.com or call us at 814-833-7428. Burns Mfg. is not responsible for obsolete template errors.

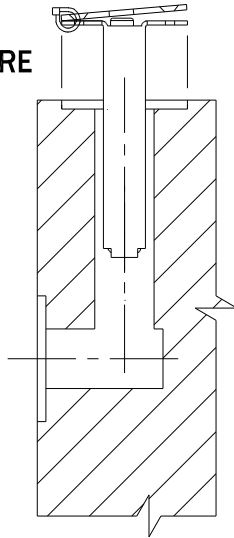
Date: 4/10 - Rev. 1

7962 AUTOMATIC FLUSH BOLT INSTALLATION

Bolt Installation

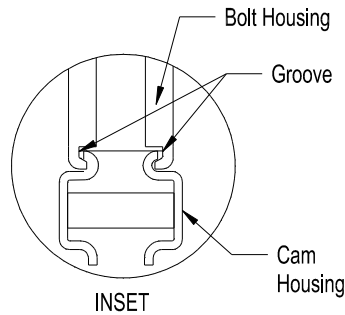
1. Remove Tie and install Bolt Housing.

DO NOT SECURE

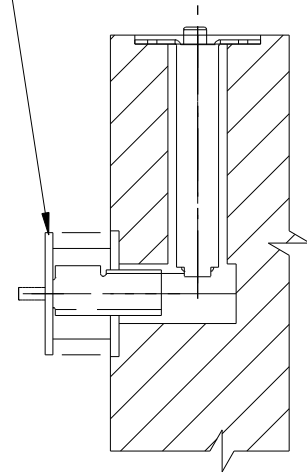


2. Install Cam Housing into grooves in Bolt Housing. See inset.

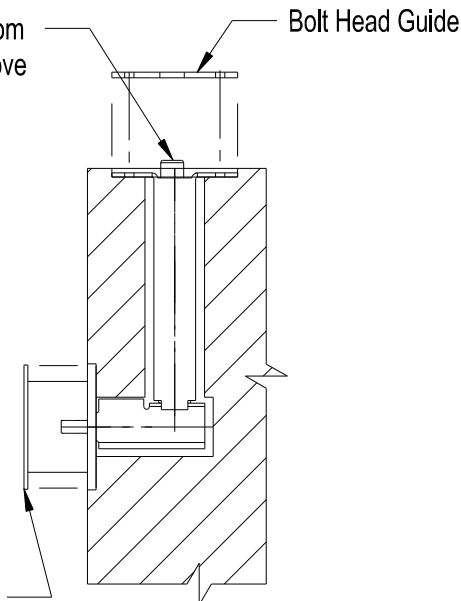
TIP: Check bolt engagement prior to fully installing by gently twisting Cam Housing. If it rotates, it is not engaged into the Bolt Housing.



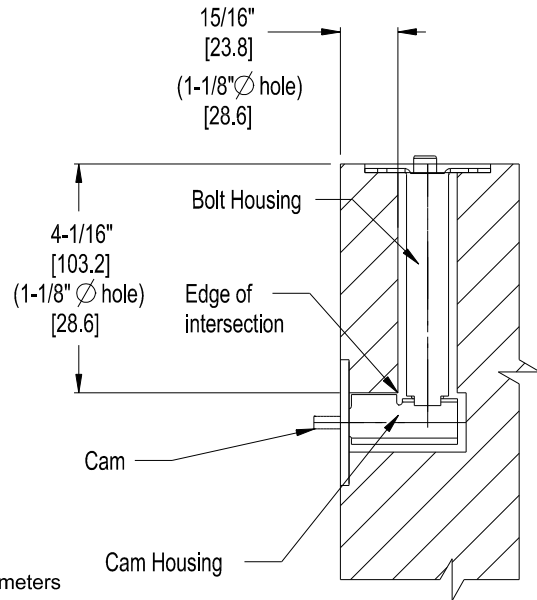
7962 = Set of Bolts
7960 = Single Bolt



3. Adjust Bolt Head from 0" to 1/16" [1.6] above Bolt Head Guide. Secure Bolt Head Guide and Bolt Housing with 2 ea. #8 APS



Note: If prepped holes are not perpendicular cam may bind. Break edge of the intersection of the 2 holes or file the edge of the vertical hole to ensure the noted dimension.



4. Install Cover Plate over Cam Housing and secure with 2 ea. #8 APS.

Dimensions in [] denotes millimeters

SEE REVERSE SIDE FOR TEMPLATE

NOTE: Due to occasional product changes, please ensure your template is current by checking our website at www.burnsmfg.com or call us at 814-833-7428. Burns Mfg. is not responsible for obsolete template errors.

Date: 4/10 - Rev. 1