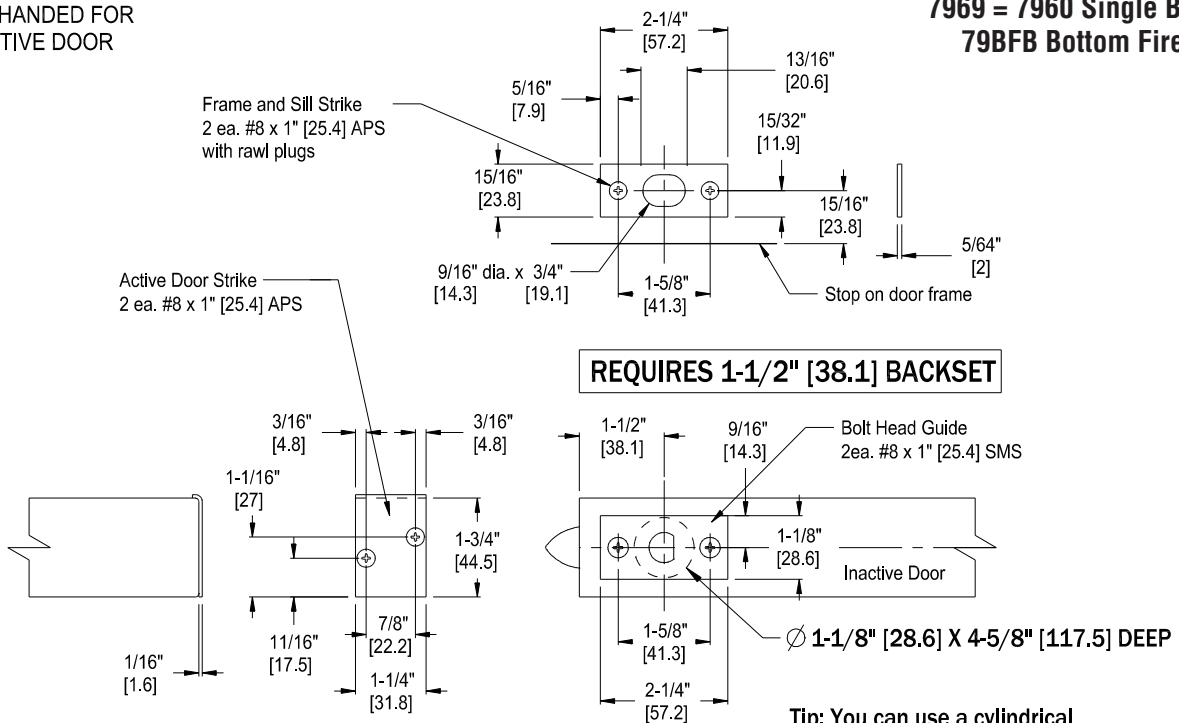


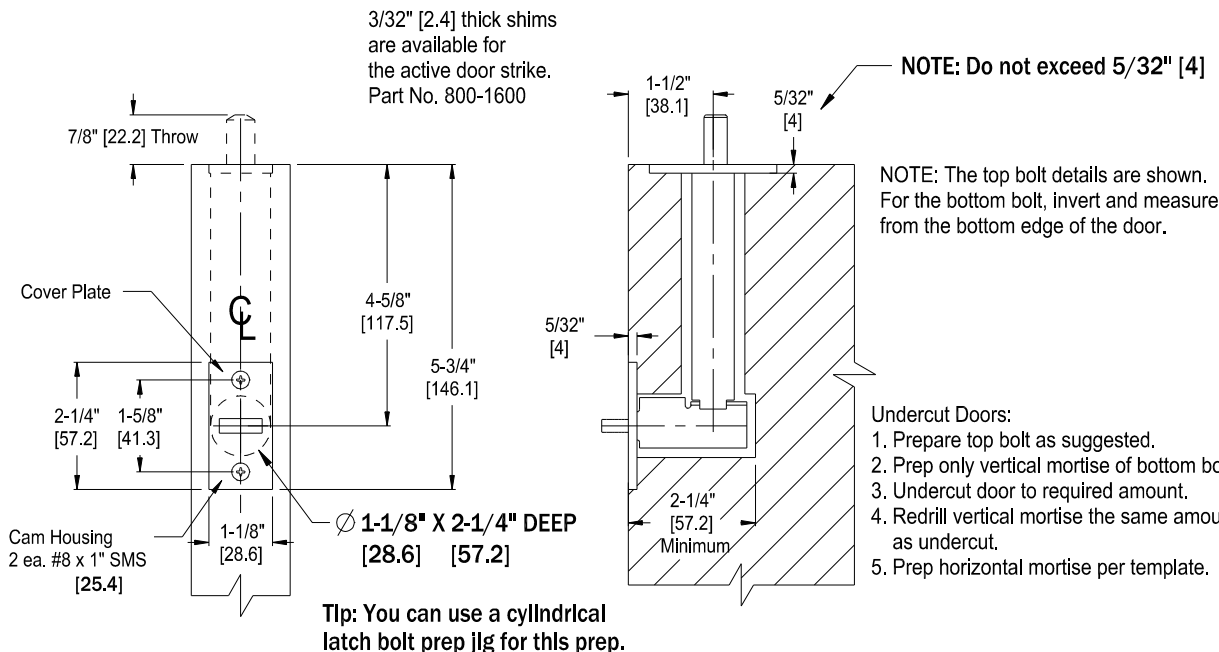
# 7969 AUTOMATIC FLUSH BOLT TEMPLATE

NON - HANDED FOR  
INACTIVE DOOR

**7969 = 7960 Single Bolt &  
79BFB Bottom Fire Bolt**



**Tip: You can use a cylindrical  
latch bolt prep jig for this prep.**



- Undercut Doors:**
1. Prepare top bolt as suggested.
  2. Prep only vertical mortise of bottom bolt.
  3. Undercut door to required amount.
  4. Redrill vertical mortise the same amount as undercut.
  5. Prep horizontal mortise per template.

Dimensions in [ ] denotes millimeters

**SEE REVERSE SIDE FOR INSTALLATION**

**PATENTED**

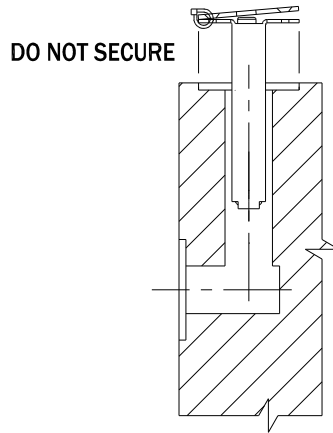
**NOTE:** Due to occasional product changes, please ensure your template is current by checking our website at [www.burnsmfg.com](http://www.burnsmfg.com) or call us at 814-833-7428. Burns Mfg. is not responsible for obsolete template errors.

**Date: 4/10 - Rev. 1**

## 7969 AUTOMATIC FLUSH BOLT INSTALLATION

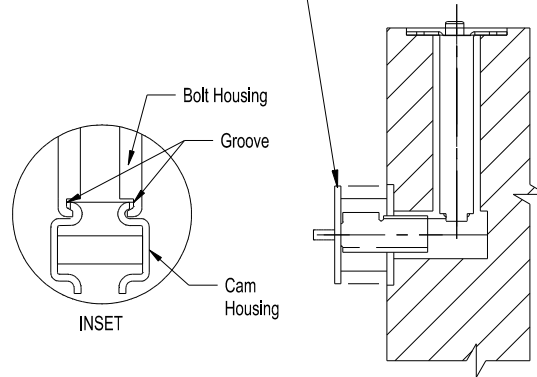
### Bolt Installation

1. Remove Tie and install Bolt Housing

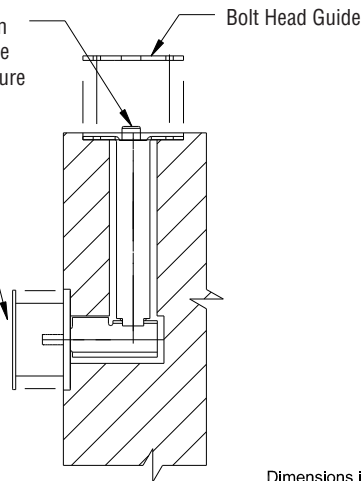


### 7969 = 7960 Single Bolt & 79BFB Bottom Fire Bolt

2. Install Cam Housing into grooves in Bolt Housing. See inset. TIP: Check bolt engagement prior to fully installing by gently twisting Cam Housing. If it rotates, it is not engaged into the Bolt Housing.

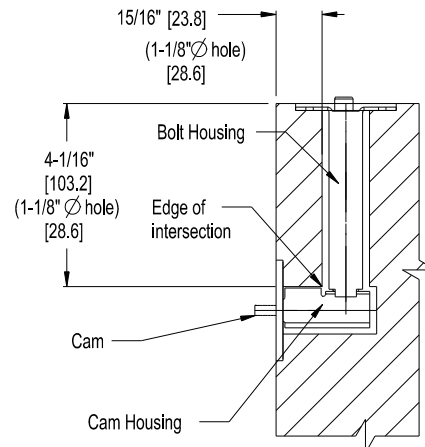


3. Adjust Bolt Head from 0" to 1/16" [1.6] above Bolt Head Guide. Secure Bolt Head Guide and Bolt Housing with 2 ea. #8 APS



4. Install Cover Plate over Cam Housing and secure with 2 ea. #8 APS.

Note: If prepped holes are not perpendicular cam may bind. Break edge of the intersection of the 2 holes or file the edge of the vertical hole to ensure the noted dimension.



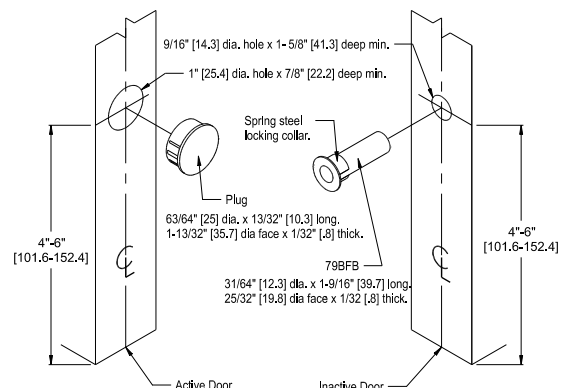
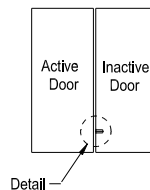
### 19BFB Bottom Fire Bolt Installation

#### Inactive Door

1. Measure 4" - 6" [101.6 - 152.4] from bottom of the Inactive Door.
2. Drill a 9/16" [14.3] dia. hole x 1-5/8" [41.3] deep for 79BFB.
3. Install 79BFB by striking squarely with a hammer.

#### Active Door

1. Drill a 1" [25.4] dia. x 1-1/4" [22.2] deep hole for Plug at the same height as the 79BFB.
2. Install plug in door by striking with a hammer.
3. For zero clearance doors, counterbore 1-1/4" [31.8] dia. x 1/16" [1.6] deep for plug.



**NOTE:** Due to occasional product changes, please ensure your template is current by checking our website at [www.burnsmfg.com](http://www.burnsmfg.com) or call us at 814-833-7428. Burns Mfg. is not responsible for obsolete template errors.

**Date: 4/10 - Rev. 1**