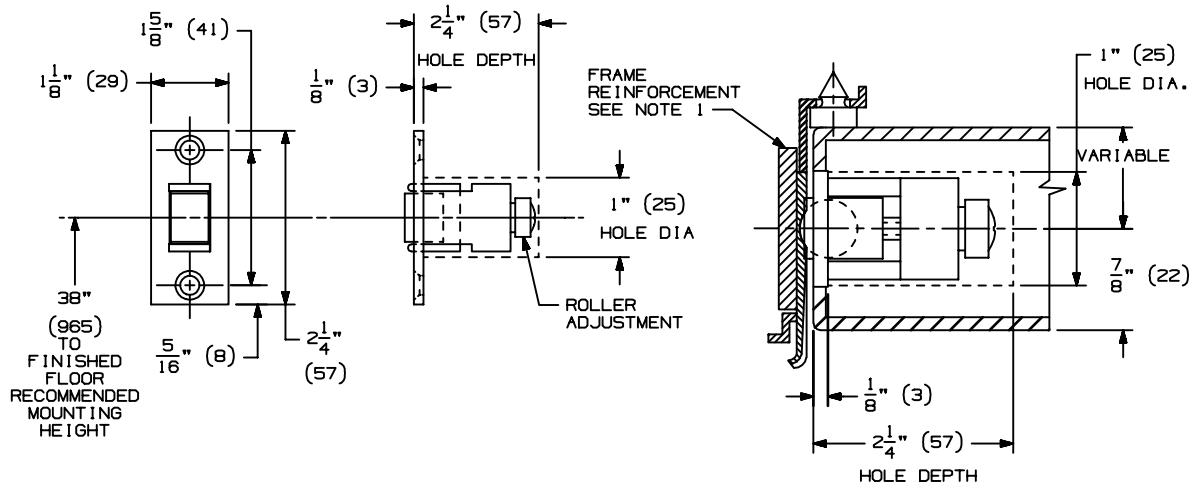


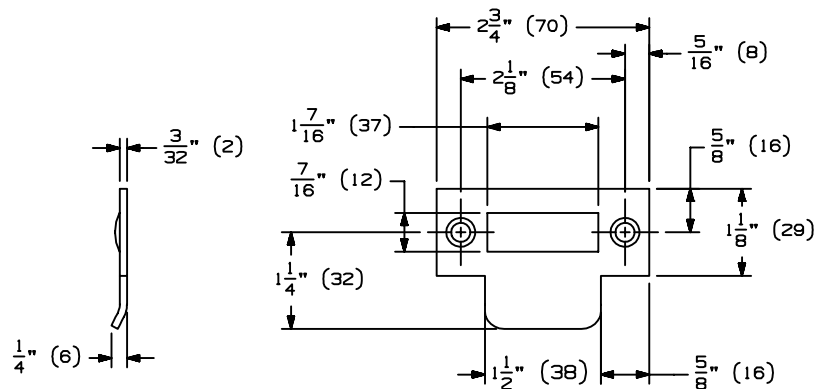
553 ROLLER LATCH TEMPLATE

ROLLER LATCH

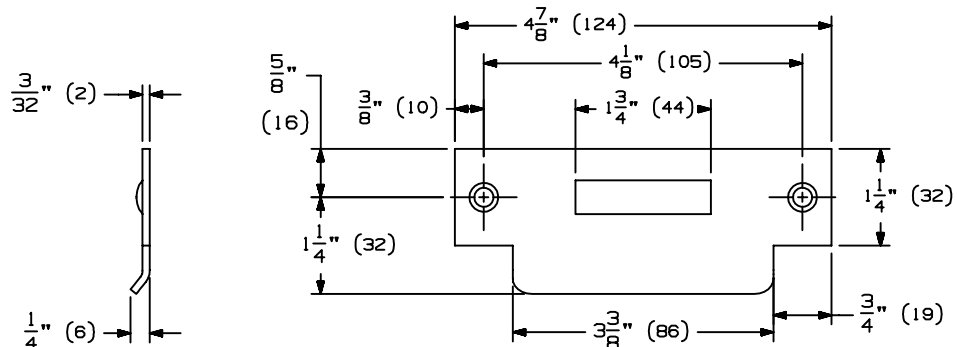


STRIKES

STANDARD STRIKE



ASA STRIKE



NOTES:

- HOLLOW METAL DOORS & FRAMES SHOULD BE PROPERLY REINFORCED WITH A 3/16" (5) MINIMUM THICKNESS PLATE.

NOTE: DIMENSIONS IN () ARE MILLIMETERS.

	QTY	SCREW DETAIL
LATCH	2	8 X 1" FPHSMS
STANDARD STRIKE	2	8 X 1" FPHSMS
ASA STRIKE	2	12-24 X 1" FPHMS

NOTE: Due to occasional product changes, please ensure your template is current by checking our website at www.burnsmfg.com or call us at 814-833-7428. Burns Mfg. is not responsible for obsolete template errors.

Date: 4/10 - Rev. 1